

R2 Draw Latch

Concealed - Tab mount

Features

- High tensile load
- Adjustable pull-up
- Suited for thin panels

Accessories

- Actuation tool: 29-0059-02

Material

- Steel, zinc plated

Product Performance

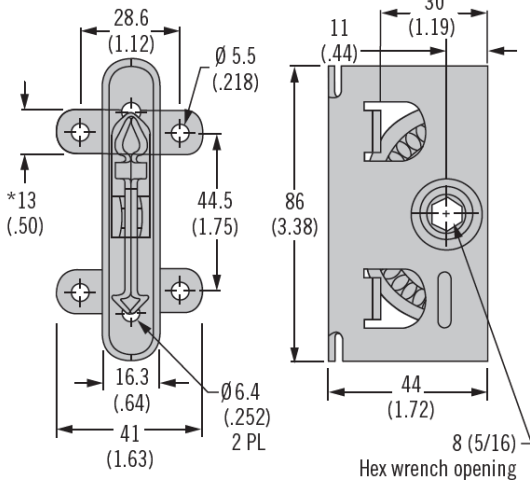
- Average ultimate tensile load: 6,200 N
- Average ultimate shear load: 8,900 N

Notes

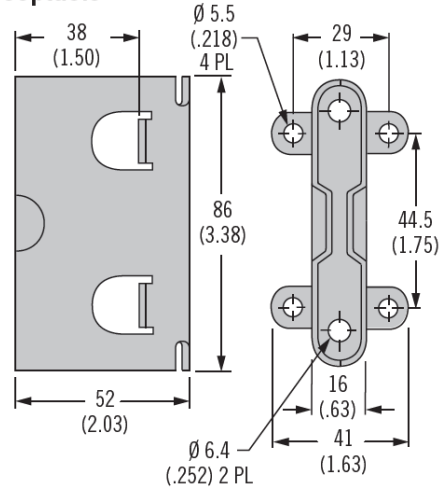
- Install assembly with Ø5 rivets or M5 screws (not supplied)



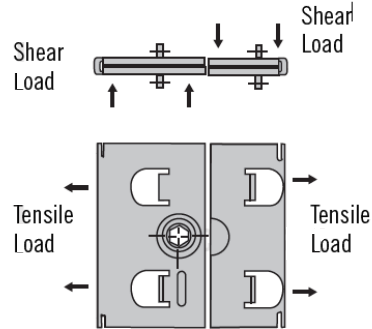
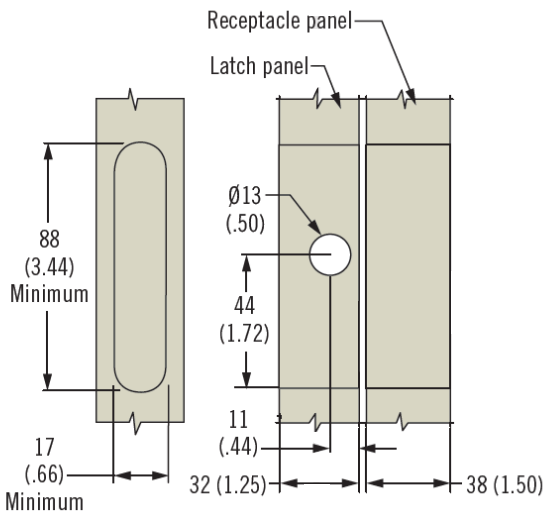
Latch



Receptacle

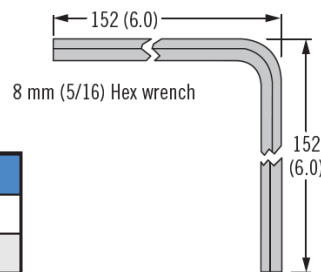


* Typical on latch and receptacle



Accessories

Actuation Tool



Part Number	
Latch	R2-0169-02
Receptacle	R2-0160-02

southco®

We are proud to be Southco's authorized distributor of over 20 years